

EC-JET



EC-JET2000

PHARMAPACK

True Color Screen

- Vertical cabinet with 10.1 inches true color touch screen, ease of use

- Cabinet inside with fans, easier cooling, Aluminium castings on the top of cabinet Anti-dust and low consumption

Independent Cooling system



Fast Maintenance

- Ink separate with electronic system, making maintenance easier and safer.
- Start the fast maintenance mode when printer has failure.

One-button start Automatic Outage

- One-button shutdown, automatic outage
- Normal startup after abnormal shutdown
- Jet off after accident outage, No pollute to the products



Unique Three-door Design

Maintenance door, consumable door and electronic door



New Ink System

Reduce electromagnetic interference, low consumption



Automatic Cleaning System

Automatic print head cleaning feature ensures normal startup after prolong shutdown period



Reliable Printing

Completely new printhead design ensures printing more stable and reliable maintenance



Stable Performance

Stable jet adapt to the dynamic applications



Modular Design

Pretty appearance stable structure





Economical Environmental And Cost-effective

Ultra high speed at 380 meters per minute (1246ft per minute)
High efficiency saves up to 20% on operating costs



Fast Editing

Support fast on-line editing switching, and previewing print data



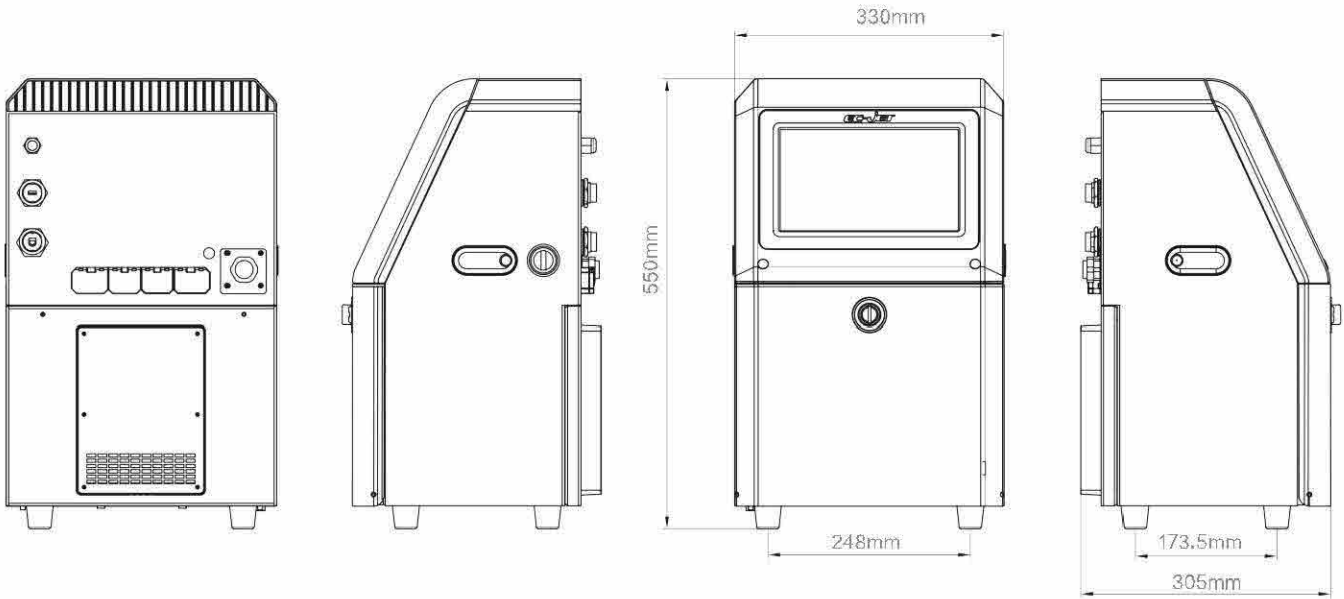
Barcode Printing

1D barcode and 2D barcode printing capability
On-screen logo creation and editing

More...

- Character bolding horizontally and vertically
Dot bolding
- Completely new printing control program make printing more beautiful
- Recycle detects automatically, easy to find out the jet offset in time
- Flexible automatic date and time format automatically date calculating function

Dimensions



Application



Daily industry



Food



Pharmaceutical



Beverage



